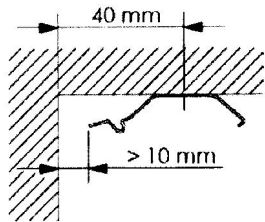
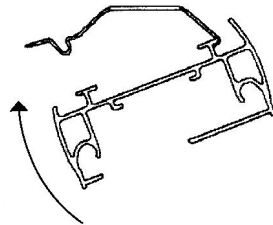




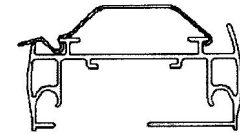
blinds on the net



1.

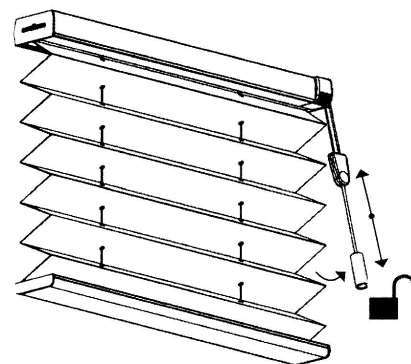
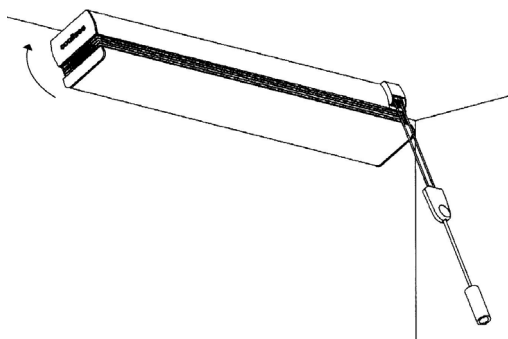
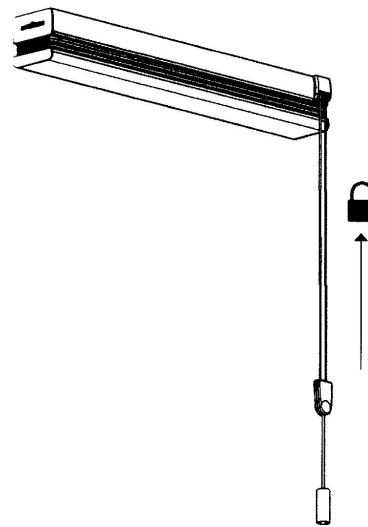
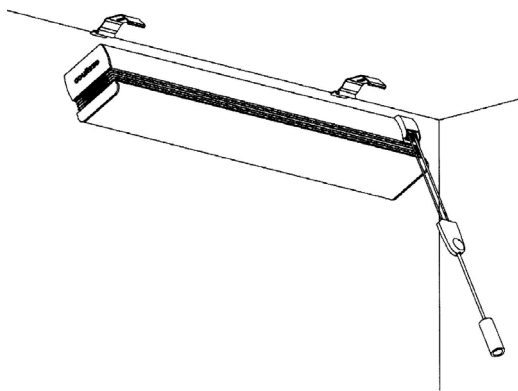


2.



3.

Install brackets ensuring there is a small clearance behind the headrail for the constant pleat clips on back of blind



Clip blinds into place

Pull cord forward to unlock - and back to lock